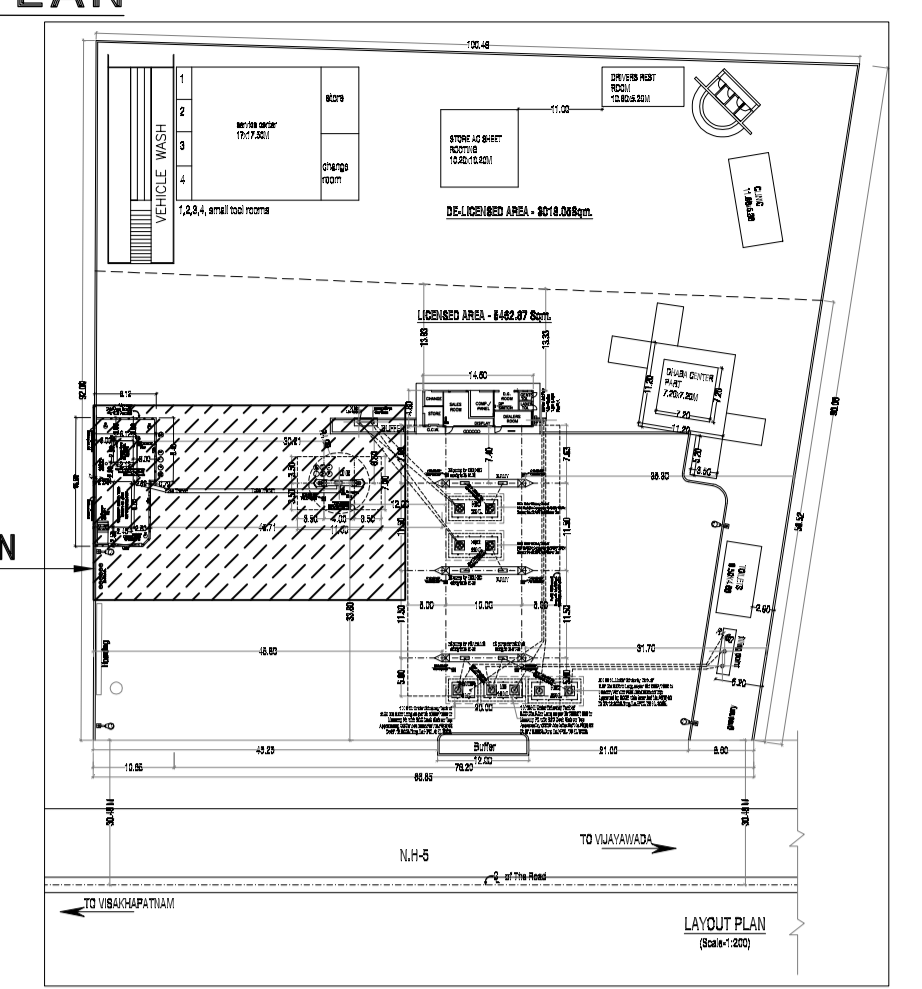


KEY PLAN

CNG DAUGHTER BOOSTER STATION



EQUIPMENT EARTHING DETAILS:

S.NO	EQUIPMENT	EARTHING CONDUCTOR SIZE
1	MAIN EARTH GRID	40x5mm EARTH FLAT
2	BOOSTER COMPRESSOR	40x5mm EARTH FLAT
3	STATIONARY CASCADE	25x3mm EARTH FLAT
4	CAR DISPENSER	25x3mm EARTH FLAT
5	POWER DB	40x5mm EARTH FLAT
6	UPS DB	25x3mm EARTH FLAT
7	LIGHTING POLE	25x3mm EARTH FLAT
8	AIR COMPRESSOR	25x3mm EARTH FLAT

BILL OF MATERIAL:

S.NO	DESCRIPTION	TYPE	LEGEND	QUANTITY
1	40x5mm GI EARTH FLAT	a	---	85m
2	25x3mm GI EARTH FLAT	b	---	55m
3	ELECTRICAL EARTH PIT	-	(E)	2 No'S
4	INSTRUMENT EARTH PIT	-	(IE)	1 No

NOTES:

- ALL DIMENSIONS ARE IN MM. UNLESS OTHERWISE SPECIFIED.
- EARTHING LAYOUT SHALL BE READ IN CONJUNCTION WITH OTHER MECHANICAL, CIVIL DRAWINGS AND LOCATION OF LAYING OF BURIED EARTH CONDUCTOR SHALL BE DECIDED BY CONTRACTOR AS PER SITE CONDITION.
- EXACT LOCATION OF EARTH PIT SHALL BE DECIDED TO SUIT AS PER SITE CONDITIONS.
- ALL THE LIGHTING POLE SHALL BE EARTHED AT ONE POINT BY 25x3mm EARTH STRIP.
- EARTH PIT SHALL BE 3m LONG, 65mm N.B. GI PIPE ELECTRODE AND SHALL HAVE A PROVISION FOR CONNECTING TO TWO NUMBERS OF MAIN EARTH GRID CONDUCTORS.
- ALL OUTDOOR EARTH GRID CONDUCTOR SHALL BE DIRECT BURIED AND RUN 600mm BELOW EARTH SURFACE.
- INSTRUMENT EARTHING CONNECTION SHALL BE TAKEN FROM DAUGHTER BOOSTER COMPRESSOR CONTROL PANEL. TO INSTRUMENT EARTH PIT.
- COMPRESSOR MOTOR AND COMPRESSOR PACKAGE BASE FRAME SHALL BE SEPARATELY EARTHED TO MAIN EARTH GRID.
- STORAGE CASCADE SHALL BE EARTHED BY 25x3 G.I STRIP TO SUPPORTING STRUCTURE WHICH FURTHER EARTHED TO MAIN EARTH GRID.
- PANLE LOCATIONS ARE PRELIMINARY AND EARTH GRID ROUTING INSIDE PANEL ROOM SHALL BE MODIFIED AS PER PANEL LOCATIONS.

CNG DAUGHTER BOOSTER STATION - EARTHING LAYOUT

REV	DATE	DESCRIPTION	DRAWN	BY	CHK.	APPR.
1	17 JUN 17	ISSUED FOR CONSTRUCTION	AKV	RAJ	AD	MSR/MRM
0	22 FEB 17	ISSUED FOR CONSTRUCTION	AKV	RAJ	AD	MSR/MRM
B	18 FEB 17	ISSUED FOR APPROVAL	AKV	RAJ	AD	MSR/MRM
A	09 JAN 17	ISSUED FOR REVIEW	MAK	MSG/RAJ	AD/MSR	AKN/BSK

CLIENT :

GODAVARI GAS PRIVATE LIMITED

CONSULTANT :

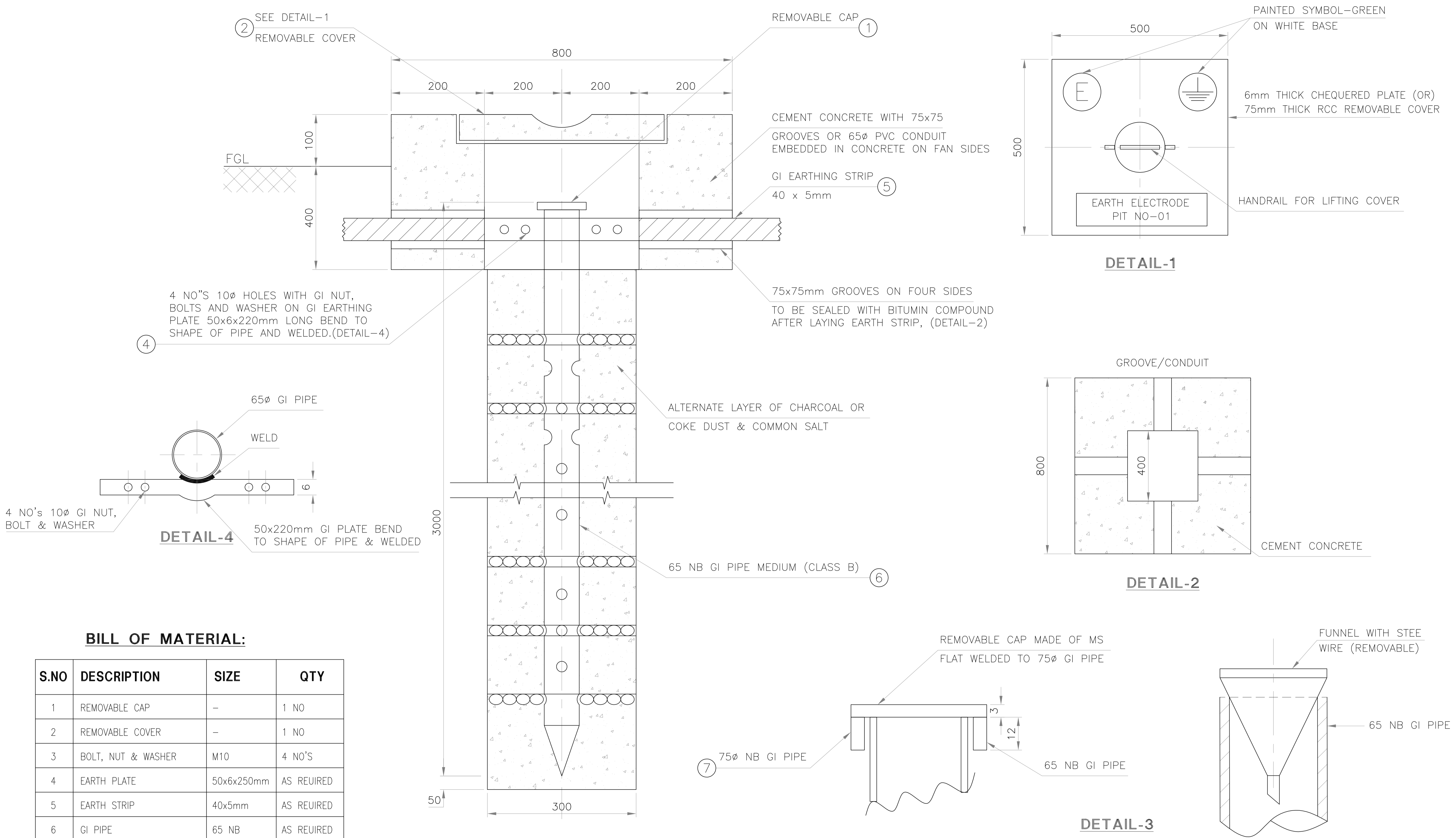
KAVIN™

PROJECT : CONSTRUCTION OF CITY GATE STATION CUM CNG STATIONS & DAUGHTER BOOSTERS STATIONS AT EAST AND WEST GODAVARI DISTRICTS

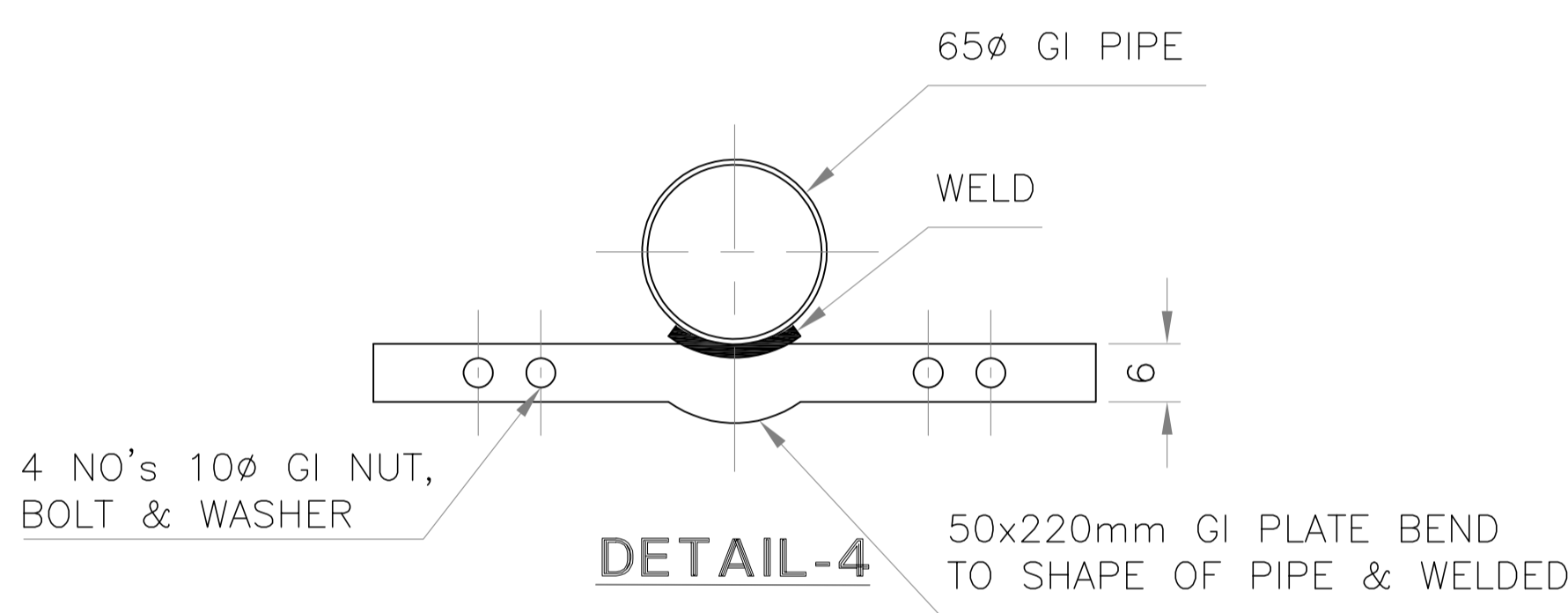
THIS DRAWING AND ALL DESIGN DETAILS AND DATA SHOWN HEREON, IS THE SOLE PROPERTY OF GGPL AND SHALL NOT BE REPRODUCED IN ANY MANNER, OR USED FOR ANY PURPOSE WHATSOEVER, EXCEPT BY WRITTEN PERMISSION OF GGPL.

TITLE : EARTHING LAYOUT FOR CNG DAUGHTER BOOSTER STATION M/S.HP AUTO CARE CENTRE, RAVULAPALEM (E.G) - HPCL

CLIENT DWG NO:	-	SCALE:	1 : 100	SUB :	E
DRAWING NO:	16017-E-DW-0803-03	SHEET No.	1 OF 2	REV.	1



4 NO'S 10 ϕ HOLES WITH GI NUT, BOLTS AND WASHER ON GI EARTHING PLATE 50x6x220mm LONG BEND TO SHAPE OF PIPE AND WELDED.(DETAIL-4)



BILL OF MATERIAL:

S.NO	DESCRIPTION	SIZE	QTY
1	REMOVABLE CAP	-	1 NO
2	REMOVABLE COVER	-	1 NO
3	BOLT, NUT & WASHER	M10	4 NO'S
4	EARTH PLATE	50x6x250mm	AS REQUIRED
5	EARTH STRIP	40x5mm	AS REQUIRED
6	GI PIPE	65 NB	AS REQUIRED
7	GI PIPE	75 NB	AS REQUIRED

EARTHING DETAILS PIPE ELECTRODE PIT (WITH GI FLAT EARTHING CONDUCTOR)

NOTES:
1. ALL DIMENSIONS ARE INmm.

REV	DATE	DESCRIPTION	DRAWN	BY	CHK.	APPR.
1	17 JUN 17	ISSUED FOR CONSTRUCTION	AKV	RAJ	AD	MSR/MRM
0	-	NOT ISSUED	-	-	-	-
B	-	NOT ISSUED	-	-	-	-
A	-	NOT ISSUED	-	-	-	-

CLIENT :

GODAVARI GAS PRIVATE LIMITED

CONSULTANT :


PROJECT : CONSTRUCTION OF CITY GATE STATION CUM CNG STATIONS & DAUGHTER BOOSTERS STATIONS AT EAST AND WEST GODAVARI DISTRICTS
THIS DRAWING AND ALL DESIGN DETAILS AND DATA SHOWN HEREON, IS THE SOLE PROPERTY OF GGPL AND SHALL NOT BE DISTRICTS IN ANY MANNER, OR USED FOR ANY PURPOSE WHATSOEVER, EXCEPT BY WRITTEN PERMISSION OF GGPL.
TITLE : EARTHING LAYOUT FOR CNG DAUGHTER BOOSTER STATION M/S.HP AUTO CARE CENTRE, RAVULAPALEM (E.G) - HPCL EARTH PIT INSTALLATION
CLIENT DWG NO: - SCALE: NTS SUB. E
DRAWING NO: 16017-E-DW-0803-03 SHEET No. 2 OF 2 REV. 1