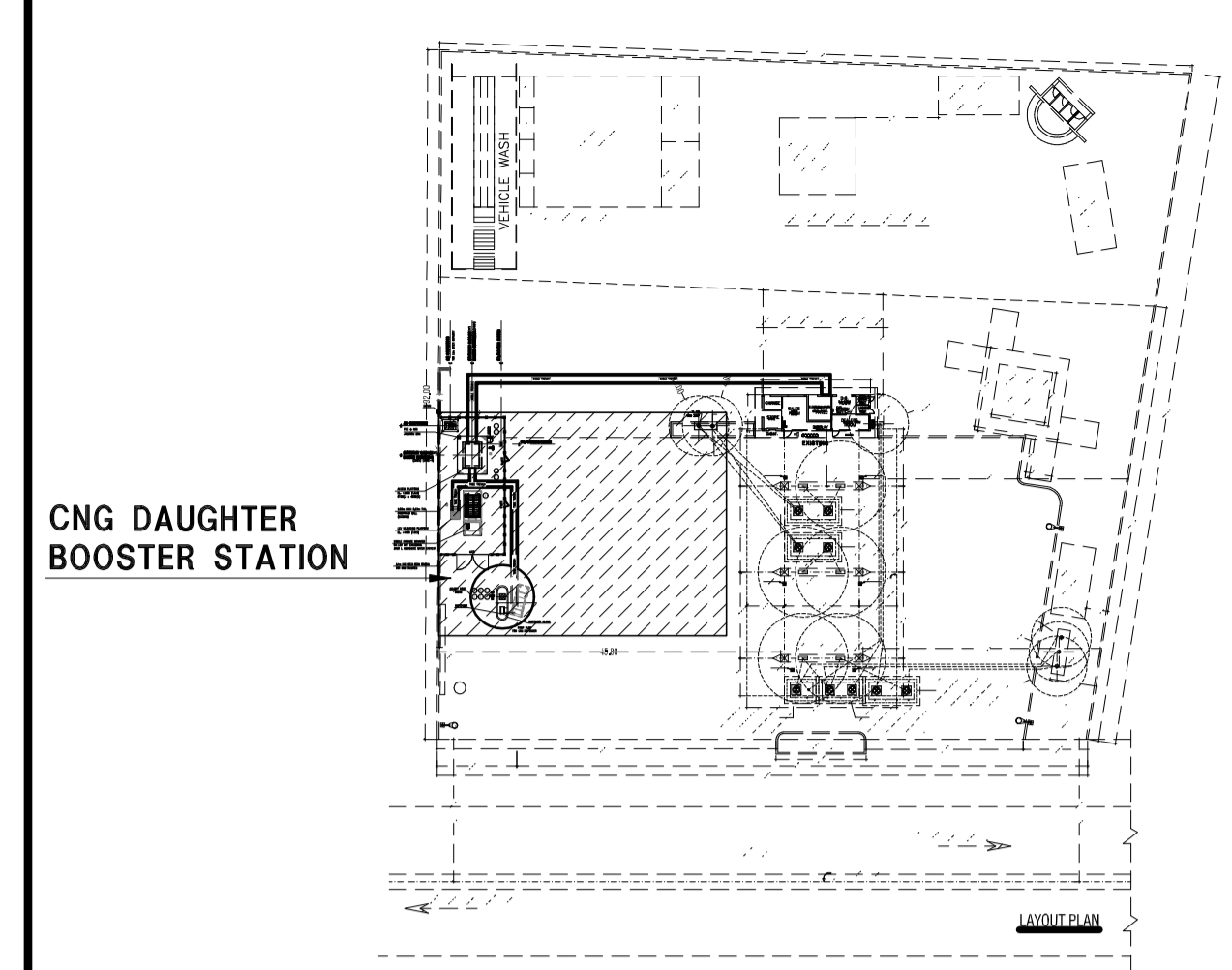


CNG DAUGHTER BOOSTER STATION - LIGHTING LAYOUT

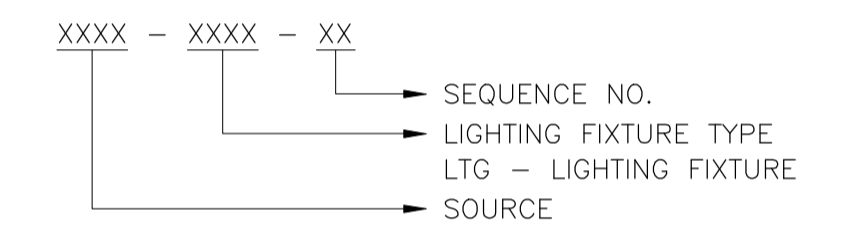


KEY PLAN

BILL OF MATERIAL:

S.NO	SYMBOL	DESCRIPTION	QTY
1	EX	90W LED FLAME PROOF AND WEATHERPROOF, FLOOD/WELL GLASS TYPE LIGHTING FIXTURE SUITABLE FOR ZONE 1, IIA/IIIB, T3 IP 66 MINIMUM HAZARDOUS AREA.	1 No

TAGGING PROCEDURE:



NOTES:

1. ALL DIMENSIONS ARE IN MM. UNLESS OTHERWISE SPECIFIED.
2. LOCATION OF LIGHTING FIXTURES ARE SHOWN IN THIS DRAWING IS APPROXIMATE ONLY. EXACT LOCATION SHALL BE DECIDED AT SITE CLEARING OBSTRUCTION.
3. ALL THE LIGHTING FIXTURE SHALL BE FLAME PROOF AND WEATHERPROOF, FLOOD/WELL GLASS FITTING SUITABLE FOR HAZARDOUS AREA. ZONE 1, GAS GROUP IIA, T3 WITH IP66.
4. INSTALLATION OF LIGHTING FIXTURE SHALL BE AS PER ELECTRICAL INSTALLATION DETAILS.
5. LED LIGHTING FIXTURE SHALL BE SUITABLE FOR MOUNTING ON STEEL TUBULAR WELDED SWAGED POLE AS PER INSTALLATION.
6. DISPENSER AREA LIGHTING SHALL BE UNDER THE SCOPE OF HPCL/BPCL.
7. LIGHTING FIXTURE MOUNTING HEIGHT SHALL BE 6.25m.
8. LIGHTING POLE SHALL BE WELDED STEEL TUBULAR SWAGED POLE TYPE OF 7.5m HEIGHT. SWAGED POLE AS PER INSTALLATION.

REV	DATE	DESCRIPTION	DRAWN	BY	CHK.	APPR.
1	17 JUN 17	ISSUED FOR CONSTRUCTION	AKV	RAJ	AD	MSR/MRM
0	22 FEB 17	ISSUED FOR CONSTRUCTION	AKV	RAJ	AD	MSR/MRM
B	17 FEB 17	ISSUED FOR APPROVAL	AKV	RAJ	AD	MSR/MRM
A	16 DEC 16	ISSUED FOR REVIEW	MAK	MSG/RAJ	AD/MSR	AKN/BSK

CLIENT :



CONSULTANT :



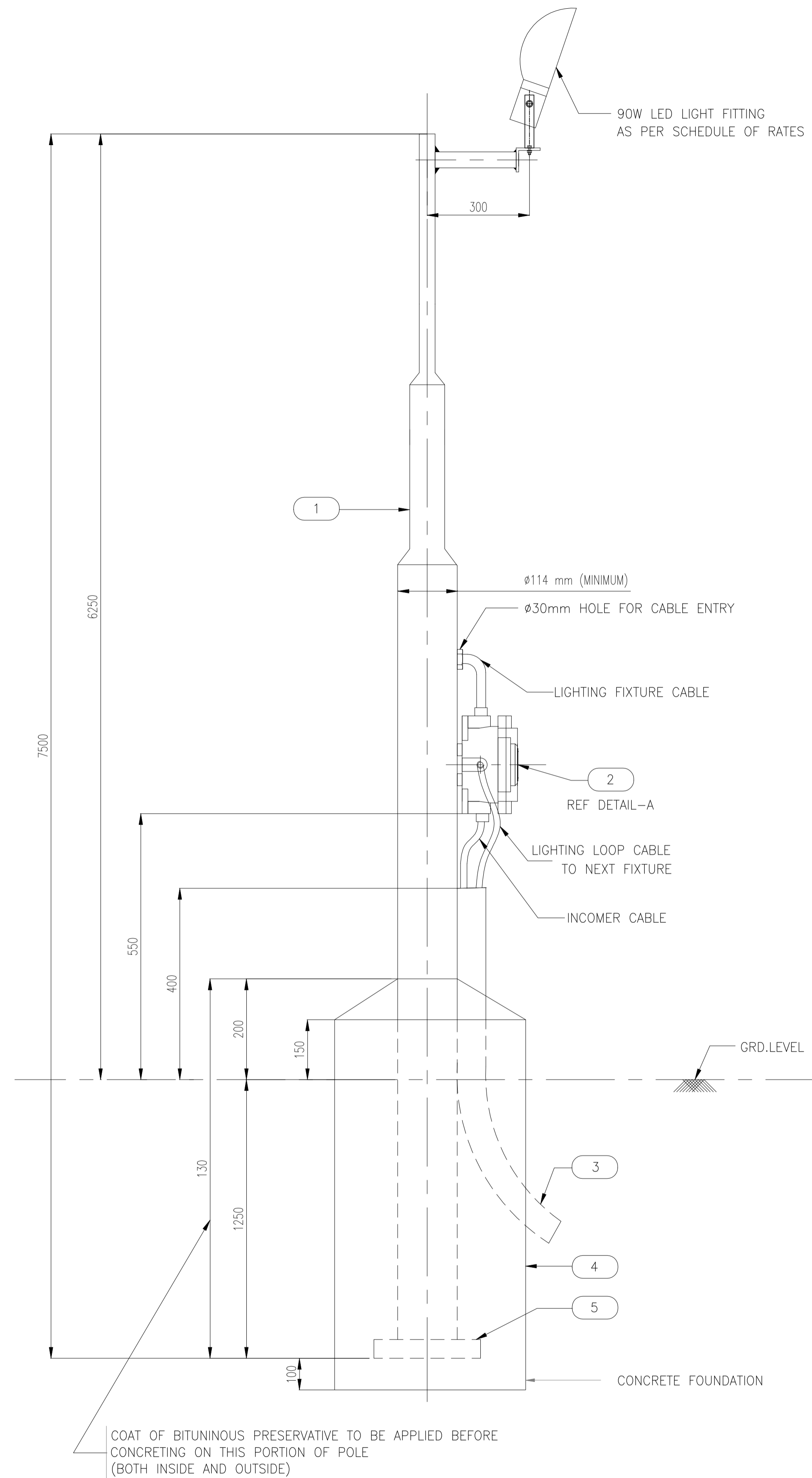
PROJECT : CONSTRUCTION OF CITY GATE STATION CUM CNG STATIONS & DAUGHTER BOOSTERS STATIONS AT EAST AND WEST GODAVARI DISTRICTS

THIS DRAWING AND ALL DESIGN DETAILS AND DATA SHOWN HEREON, IS THE SOLE PROPERTY OF GGPL AND SHALL NOT BE REPRODUCED IN ANY MANNER, OR USED FOR ANY PURPOSE WHATSOEVER, EXCEPT BY WRITTEN PERMISSION OF GGPL.

TITLE : LIGHTING LAYOUT FOR CNG DAUGHTER BOOSTER STATION M/S.HP AUTO CARE CENTRE, RAVULAPALEM (E.G) - HPCL

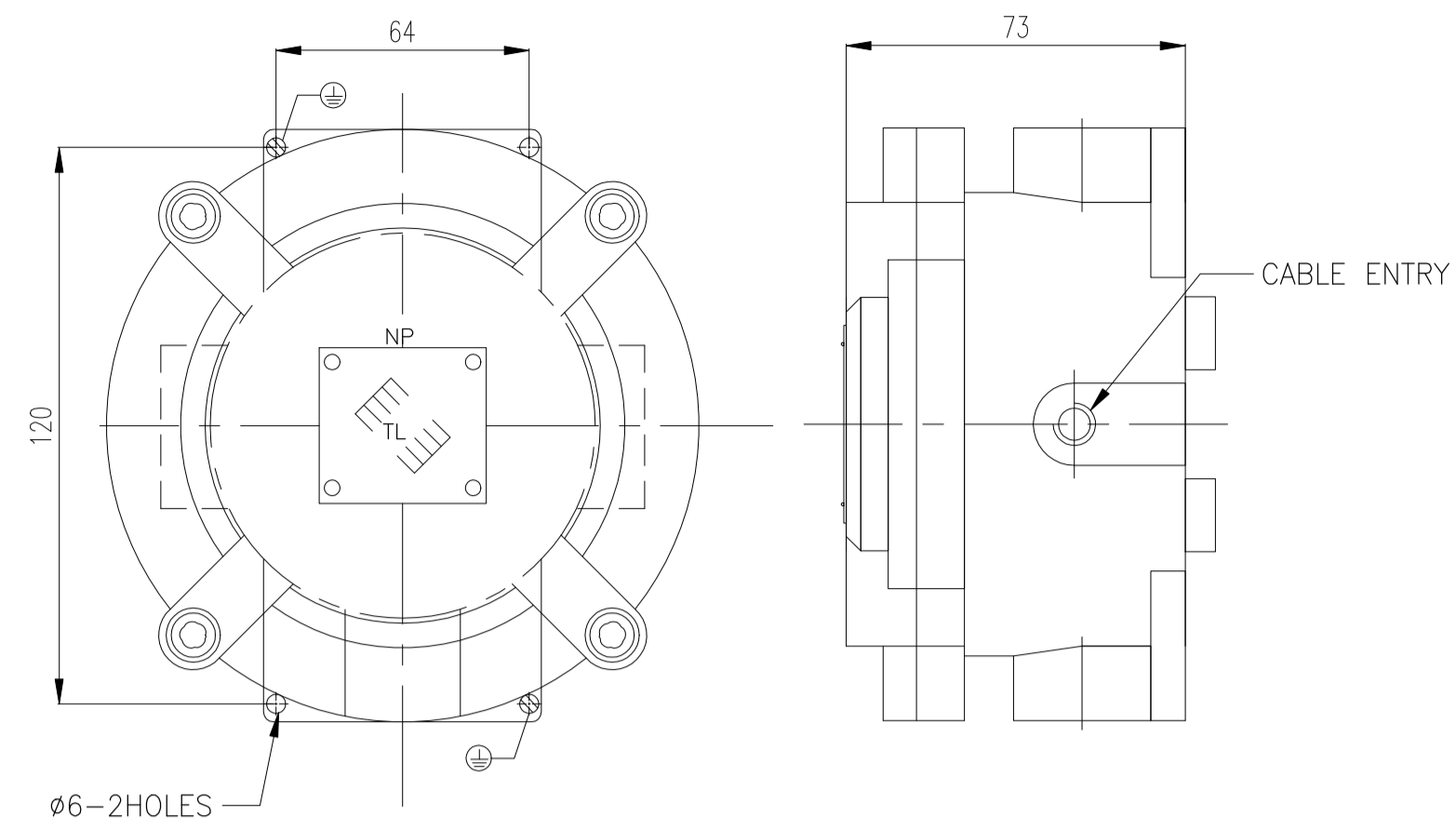
CLIENT DWG NO: - SCALE: 1 : 100 SUB . E
DRAWING NO: 16017-E-DW-0804-03 SHEET No. 1 OF 2 REV. 1

SINGLE ARM LIGHTING POLE FOR LED FLOOD LIGHT (FLAME PROOF)



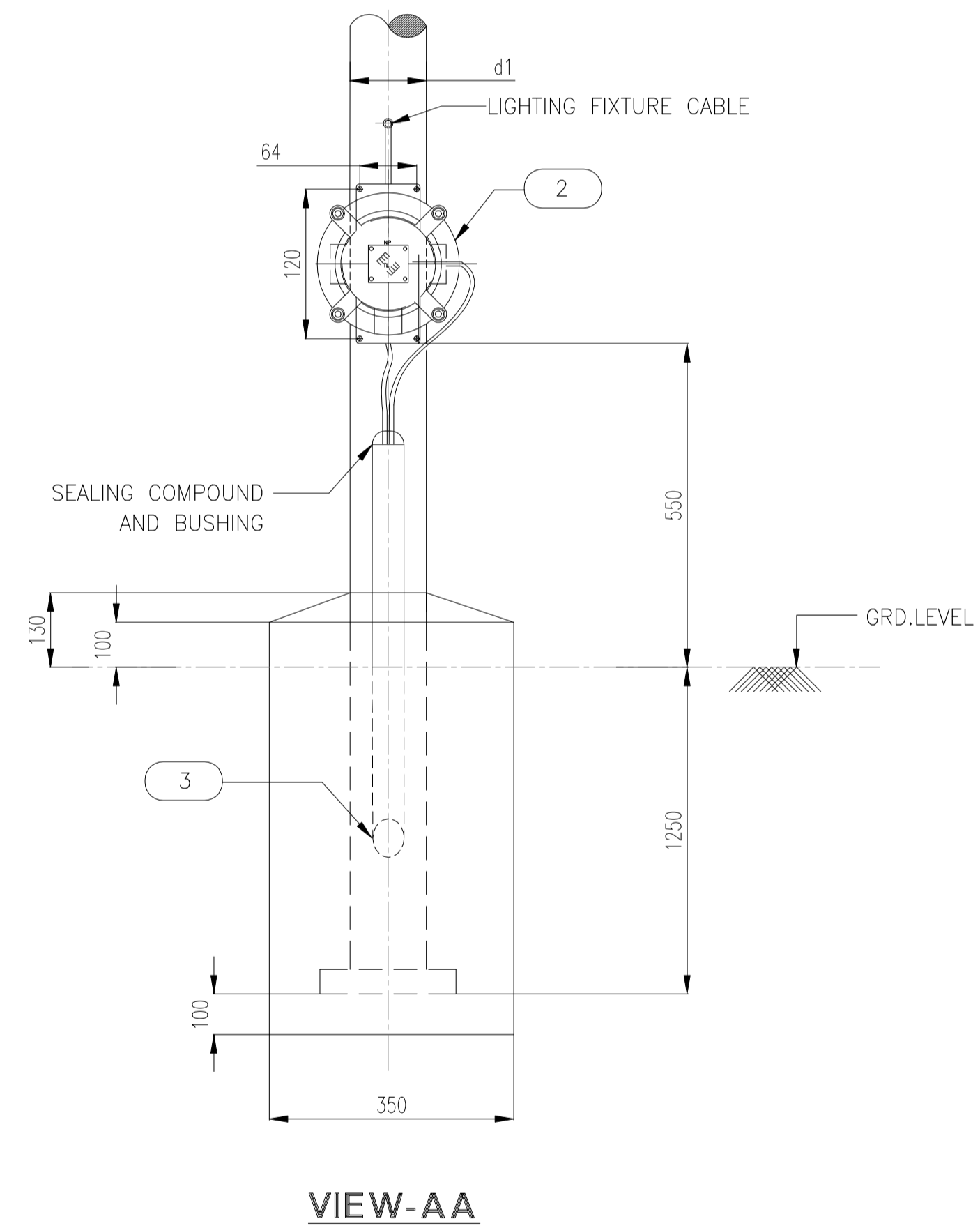
COAT OF BITUMINOUS PRESERVATIVE TO BE APPLIED BEFORE CONCRETING ON THIS PORTION OF POLE (BOTH INSIDE AND OUTSIDE)

DETAIL-A



LIGHTING JB TERMINAL DETAILS:

1. 6 Nos OF 4 Sq.mm FOR LIGHTING CABLES.
2. EXTERNAL EARTHING 2 Nos - M6.
3. INTERNAL EARTHING 1 Nos - M5.



BILL OF MATERIAL

S.NO	DESCRIPTION	QTY
1	WELDED STEEL TUBULAR SWAGED POLE, 7.5m HIGHT WITH DUAL ARM BRACKET	1 No
2	FLAME PROOF 3-WAY, SINGLE PHASE JUNCTION BOX WITH FIXING ACCESSORIES	1 No
3	50mm G.I CONDUIT SLEEVE FOR CABLE EMBEDDED IN CEMENT CONCRETE	1.5 m
4	M15 CEMENT CONCRETE BLOCK AS PER IS-456. UNLESS OTHERWISE SPECIFIED.	1 Lot
5	300 x 300 x 10mm STEEL BASE PLATE AS PER IS-2713. UNLESS OTHERWISE SPECIFIED.	1 No
6	90W, LED FLOOD/WELL GLASS TYPE LIGHT FIXTURE FLAME PROOF	1 No

LIGHTING POLE INSTALLATION FOR CNG DAUGHTER BOOSTER STATION

REV	DATE	DESCRIPTION	DRAWN	BY	CHK.	APPR.
1	17 JUN 17	ISSUED FOR CONSTRUCTION	AKV	RAJ	AD	MSR/MRM
-	-	NOT ISSUED	-	-	-	-
-	-	NOT ISSUED	-	-	-	-
-	-	NOT ISSUED	-	-	-	-

CLIENT :



CONSULTANT :



PROJECT : CONSTRUCTION OF CITY GATE STATION CUM CNG STATIONS & DAUGHTER BOOSTERS STATIONS AT EAST AND WEST GODAVARI DISTRICTS

THIS DRAWING AND ALL DESIGN DETAILS AND DATA SHOWN HEREON, IS THE SOLE PROPERTY OF GGPL AND SHALL NOT BE REPRODUCED IN ANY MANNER, OR USED FOR ANY PURPOSE WHATSOEVER, EXCEPT BY WRITTEN PERMISSION OF GGPL.

TITLE : LIGHTING LAYOUT FOR CNG DAUGHTER BOOSTER STATION
M/S.HP AUTO CARE CENTRE, RAVULAPALEM (E.G) - HPCL
LIGHTING POLE INSTALLATION DETAILS

CLIENT DWG NO: -	SCALE: NTS	SUB: E
DRAWING NO: 16017-E-DW-0804-03	SHEET No. 2 OF 2	REV. 1